

**'MPE 3' PC Enclosures**

- The 'MPE 3' Enclosure is a medium security solution that is designed to reduce the risk of 'Smash & Grab', 'Opportunity theft' & 'Targeted theft' of your machine/s with minimal effect on the much-needed air flow.
- The Enclosure is suitable for a variety of machine types including: Desktops / Towers, Workstations, Small servers, Gaming machines & Game consoles installed under desks and worktops.
- Width and height adjustable to accommodate a wide range of machine sizes and easily adapts when changing your equipment.
- Adjustability means you can accommodate 2 machines side by side.
- The Enclosure raises machines off the floor, reducing dust intake and potential damage from floods, leaks and impacts.
- Designed by a team of Engineers and IT Specialists to protect your machine/s whilst maintaining access to the functionality and connectivity points.
- Available in 3 sizes: Small, Medium and Large.
- UK designed & manufactured.



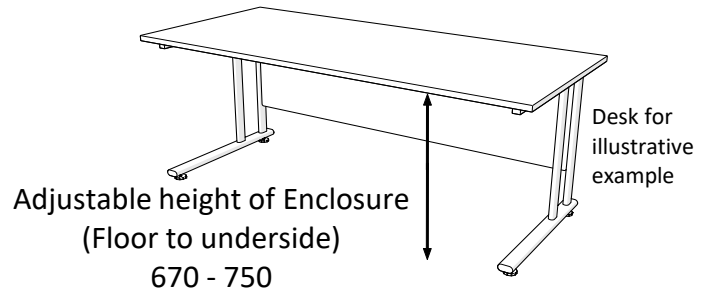
**MPE 3 (Medium)**  
Shown in the widest format

**Internal usable space**

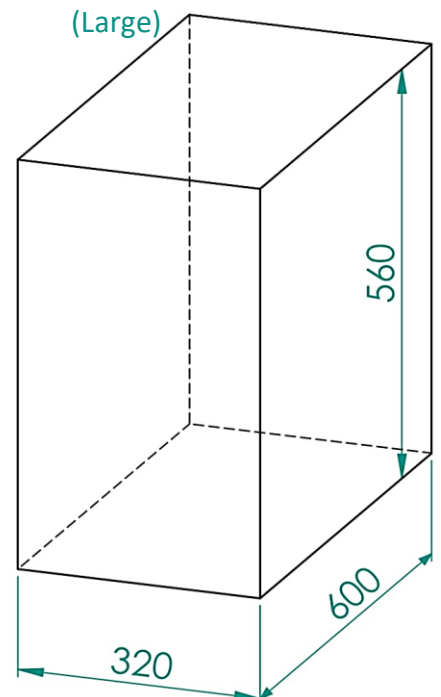
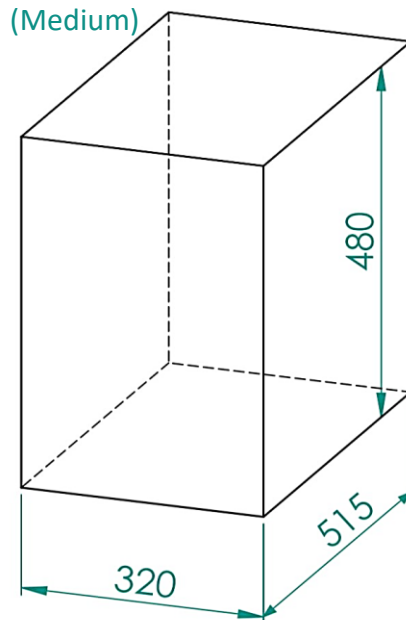
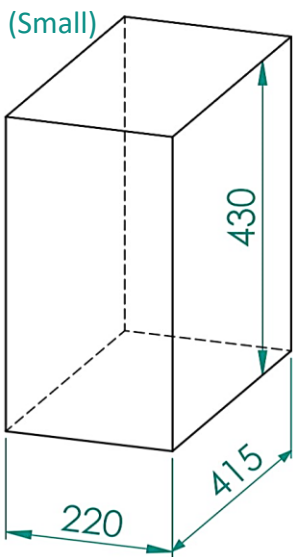
Size	Max Width	Height	Depth
<b>Small</b>	220	430	415
<b>Medium</b>	320	480	515
<b>Large</b>	320	560	600

View website for full dimensional information

**Installation height (Small, Medium & Large)**



**Maximum Internal usable space**



All dimensions in (mm)